



Thermoflo

**90%
AFUE**

GAS FURNACES UP-FLOW APPLICATIONS

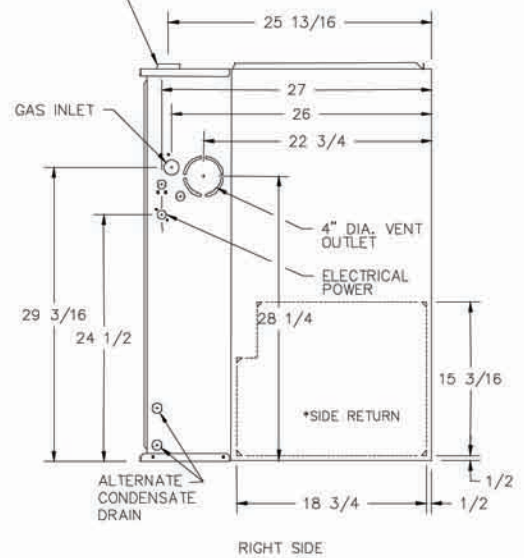
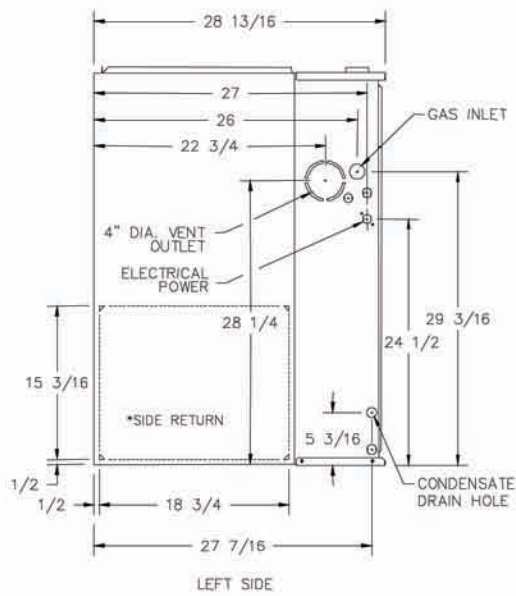
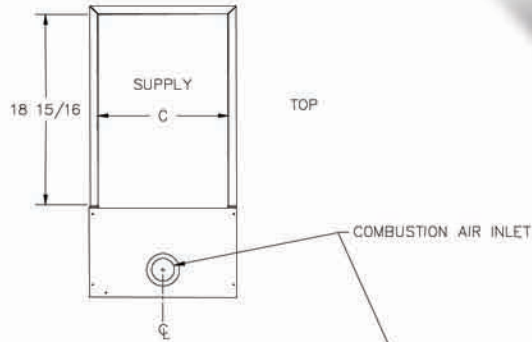
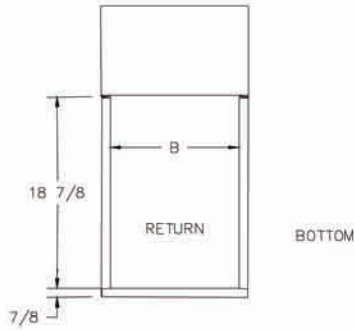
Standard Features:

- 90%+ AFUE Efficiency With Weldless Tubular Heat Exchanger
- Self Diagnosing Control System
- Patented High Temperature Limit System
- Easy Service Access With No Door Switches
- Power Terminals Provided For Humidifier And Electronic Air Cleaner
- 20 - Year Limited Heat Exchanger Warranty
- 5 - Year Limited Parts Warranty



GAS FURNACES

ALL DIMENSIONS IN INCHES



Model	BTUH (input)	BTUH (output)	Max Cooling Tons	Blower (Direct Drive)		Shipping Weight (lbs)	Cabinet Width (A)	Plenum Openings				High Speed CFM @ 0.5 Inches W.C.	Vent Size Inches*	
				Motor (HP)	Size			Supply (C)		Return (B)			Intake	Exhaust
								Width	Depth	Width	Depth			
WTVSA054NH3R	54,000	49,300	3	1/3	10-6	122	17 1/2"	15 15/16"	18 15/16"	15 3/4"	18 7/8"	1,140	2	2
WTVSA072NH3R	72,000	65,700	3	1/2	10-8	131	17 1/2"	15 15/16"	18 15/16"	15 3/4"	18 7/8"	1,299	2 or 3	2 or 3
WTVSA072NH4R	72,000	65,700	4	3/4	Dual 10-4	141	20 1/2"	18 15/16"	18 15/16"	18 3/4"	18 7/8"	1,507	2 or 3	2 or 3
WTVSA090NH3R	90,000	82,100	3	1/2	10-8	145	17 1/2"	15 15/16"	18 15/16"	15 3/4"	18 7/8"	1,316	2 or 3	2 or 3
WTVSA090NH4R	90,000	82,100	4	3/4	Dual 10-4	150	20 1/2"	18 15/16"	18 15/16"	18 3/4"	18 7/8"	1,683	2 or 3	2 or 3
WTVSA108NH5R	108,000	98,600	5	3/4	Dual 10-6	174	23 1/2"	21 15/16"	18 15/16"	21 3/4"	18 7/8"	1,807	3	3
WTVSA126NH5R	126,000	115,000	5	3/4	Dual 10-6	193	23 1/2"	21 15/16"	18 15/16"	21 3/4"	18 7/8"	1,827	3	3